

# K150 ATEX

## FEATURES

- HEAVY DUTY CONDITIONS
- HIGH FLOW RATE
- BURSTING PRESSURE 28 BAR
- EASY READING
- 4 FLOW DIRECTIONS

K150 ATEX is expressly engineered to meet the market requirements of a meter suitable for flow rates superior than 120 l/min and that can be used both for fluids such as diesel and biodiesel, as well as in potentially explosives atmosphere; with gasoline for example. K150 is easy to calibrate and ready to use; its aluminium cover and sturdy body make this meter suitable for a wide arrange of application while guaranteeing the same precision and quality that have always featured PIUSI equip-ment. The mechanical display allows to read quickly the quantity dispensed. It can be installed everywhere thanks to the (optional) 1,5" flange kit. K150 is certified CE, ATEX/UL and tested in PIUSI laboratories for over 4 milion litres to guarantee the maximum reliability.

### PERFORMANCE


UP TO <b>150</b> L/MIN FLOW RATE	<b>3,5 BAR</b> MAX OPERATING PRESSURE
<b>± 1%</b> ACCURACY	<b>0,3%</b> REPEATABILITY



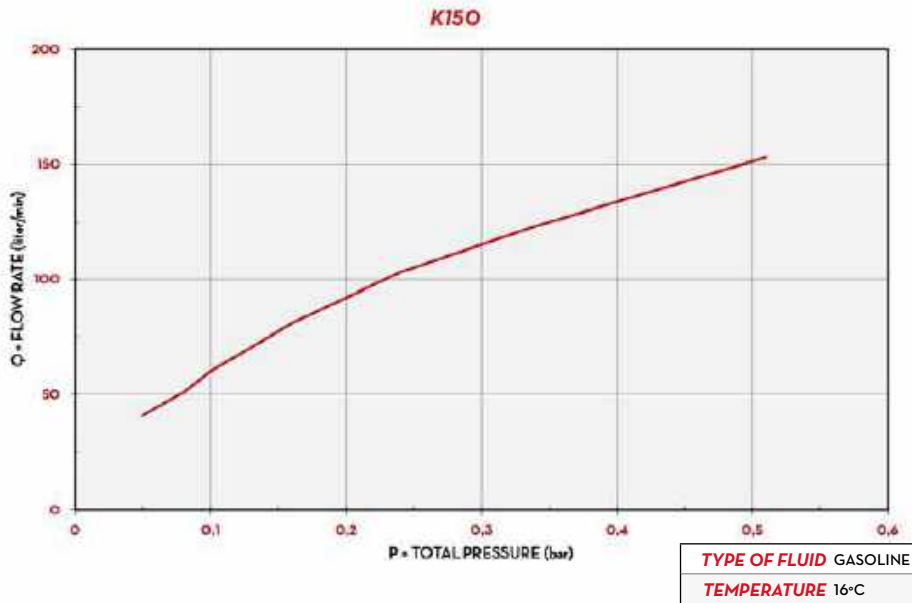
K150



### PACKAGING

CODE	WEIGHT		PACKAGING			BOXES/EUROPALLET	
	KG	LBS	MM	INCH	PCS/BOX	✕	
FO055A00	2,38	5,25	185X185X170	7,28X7,28X6,69	1	192	240
FO055B00	2,38	5,25	185X185X170	7,28X7,28X6,69	1	192	240
FO055C00	2,38	5,25	185X185X170	7,28X7,28X6,69	1	192	240
FO055D00	2,38	5,25	185X185X170	7,28X7,28X6,69	1	192	240

**CHART**



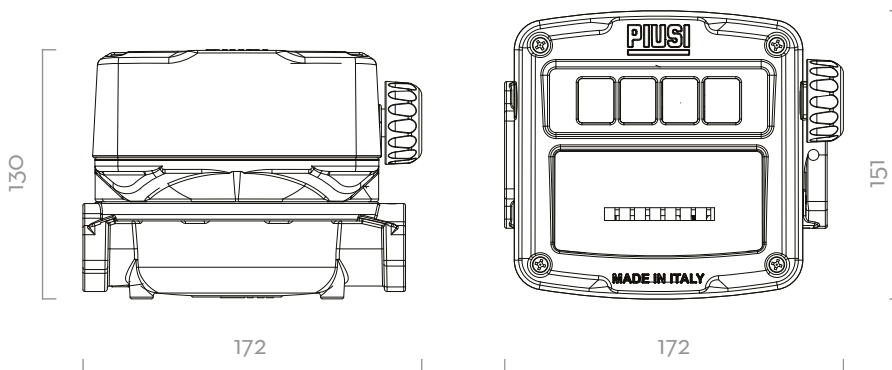
**IN THE BOX**

- K150 ATEX METER
- INSTRUCTION MANUAL

**DETAILS**



**DIMENSIONS**



Dimensions expressed in millimeters

**MATERIALS**

- BODY AND COVER: ALUMINIUM
- NUTATING DISK CHAMBER: TECHNOPYLIMER

**TECHNICAL DATA**

CODE	DESCRIPTION	FLUIDS TYPE	FLOW RATE		FLOW DIRECTIONS	PRESSURE		INLET/OUTLET
			L/MIN	GPM		BAR	PSI	
FO0555A00	(EX) K150 METER VER.A ATEX	D G K	25-150	6,6-40	◀	3,5	50	1" BSP
FO0555B00	(EX) K150 METER VER.B ATEX	D G K	25-150	6,6-40	▲	3,5	50	1" BSP
FO0555C00	(EX) K150 METER VER.C ATEX	D G K	25-150	6,6-40	▼	3,5	50	1" BSP
FO0555D00	(EX) K150 METER VER.D ATEX	D G K	25-150	6,6-40	▶	3,5	50	1" BSP

THE PIUSI K150 IS A MECHANICAL METER EXPRESSLY ENGINEERED FOR HEAVY DUTY AND HIGH FLOW RATE APPLICATIONS. IT IS EASY TO CALIBRATE AND READY-TO-USE; ITS ALUMINIUM COVER AND STURDY BODY MAKE THIS METER SUITABLE FOR A WIDE ARRANGE OF APPLICATIONS WHILE GUARANTEEING THE SAME PRECISION AND QUALITY THAT HAVE ALWAYS BEEN A FEATURE OF PIUSI EQUIPMENT.

**K150 ATEX**