

# K600/3

## FEATURES

- ADJUSTABLE FLANGES
- SUITABLE FOR INDUSTRIAL APPLICATIONS
- IDEAL FOR MOBILE INSTALLATIONS
- LOW ENERGY CONSUMPTIONS

The PIUSI K600/3 is an oval gear meter suitable for monitoring the delivery of diesel, oil and antifreeze. The meter is equipped with an integrated filter and is also available in pulser version.

## PERFORMANCE

UP TO  
**100 L/MIN**

FLOW-RATE

**0,2%**

REPEATIBILITY

**± 0,5%**

ACCURACY



**K600/3 METER**

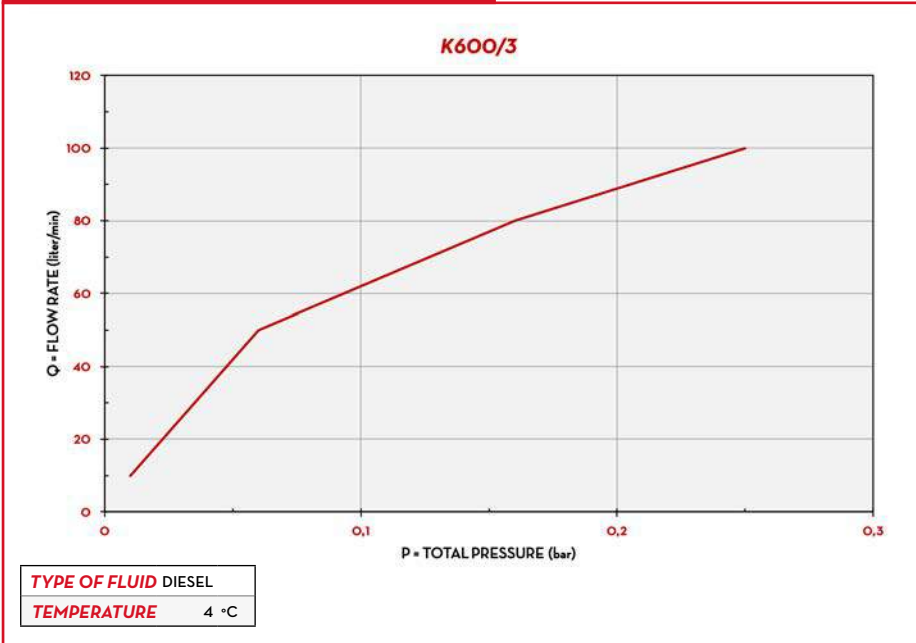


**K600/3 PULSER**

## PACKAGING

CODE	WEIGHT		PACKAGING		
	KG	LBS	MM	INCH	PCS/BOX
<b>METERS</b>					
FOO496A00	1,6	3,5	200X120X140	79X4,7X5,5	1
<b>PULSER</b>					
FOO472A00	2,6	5,7	200X120X140	79X4,7X5,5	1

**CHART**



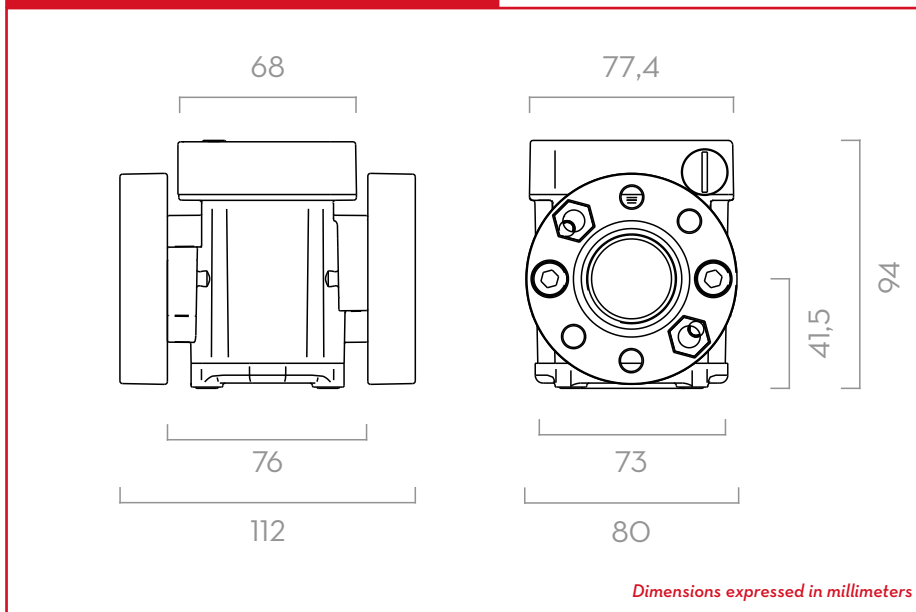
**IN THE BOX**

- K600/3 METER
- FLANGES
- INSTRUCTION MANUAL

**DETAILS**



**DIMENSIONS**



**MATERIALS**

- BODY: ALUMINIUM
- GEARS: TECHNOPOLYMER

**TECHNICAL DATA**

CODE	DESCRIPTION	FLUIDS TYPE	FLOW-RATE		PRESSURE		BATTERY N°2 X 1,5V (INCLUDED)	FLANGE	INLET / OUTLET	INLET FILTER
			L/MIN	GPM	BAR	PSI				
<b>METERS</b>										
FOO496A00	K600/3 DIESEL	A D O	10 - 100	2,64 - 26,4	30	426	YES	YES	1" BSP	YES
<b>PULSER</b>										
FOO472A00	K600/3 1" DIESEL	A D O	10 - 100	2,64 - 26,4	30	426	NO	YES	1" BSP	YES

UPON REQUEST AVAILABLE IN NPTF VERSION AND DISPLAY IN GALLON/QUARTER OR PRINT

**K600/3**