

K600/3

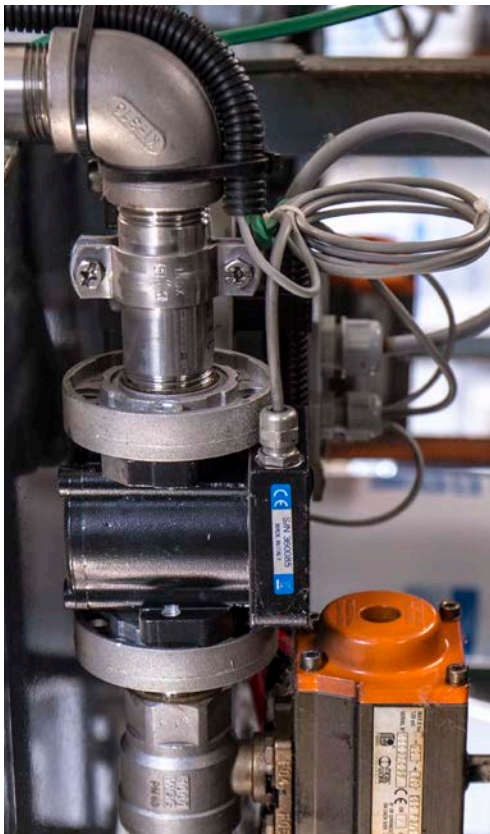
FEATURES

- **ADJUSTABLE FLANGES**
- **EXTREMELY ACCURATE**
- **SUITABLE FOR INDUSTRIAL APPLICATIONS**
- **IDEAL FOR MOBILE INSTALLATIONS**
- **LOW ENERGY CONSUMPTIONS**

The Piusi K600/3 is an oval gear meter suitable for monitoring the delivery of low, medium and high viscosity oils. The meter is equipped with an integrated filter and it is available also in pulser version.

PERFORMANCE

<p>up to 100 L/MIN (up to 26,4 gpm)</p> <p>FLOW-RATE</p>	<p>± 0,5 %</p> <p>ACCURACY</p>
<p>30/70 BAR</p> <p>PRESSURE</p>	<p>0,2 %</p> <p>REPEATABILITY</p>



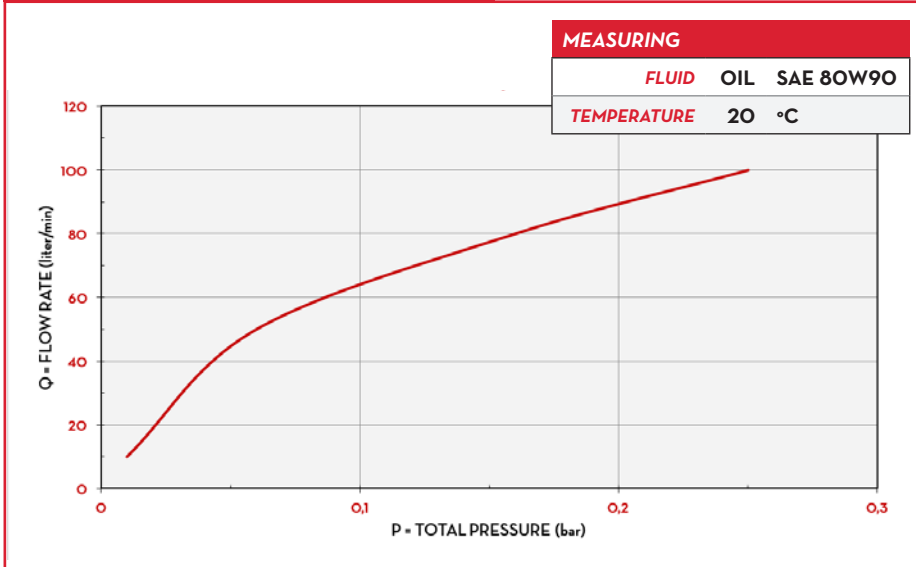
K600/3

K600/3 PULSER

PACKAGING

CODE	WEIGHT		PACKAGING			
	KG	LBS	MM	INCH	PCS/PALLET	PCS/BOX
METERS						
FOO496A20	1,6	3,5	200X120X140	7,9X4,7X5,5		1
PULSER						
FOO472A20	2	4,4	200X120X140	7,9X4,7X5,5		1

CHARTS



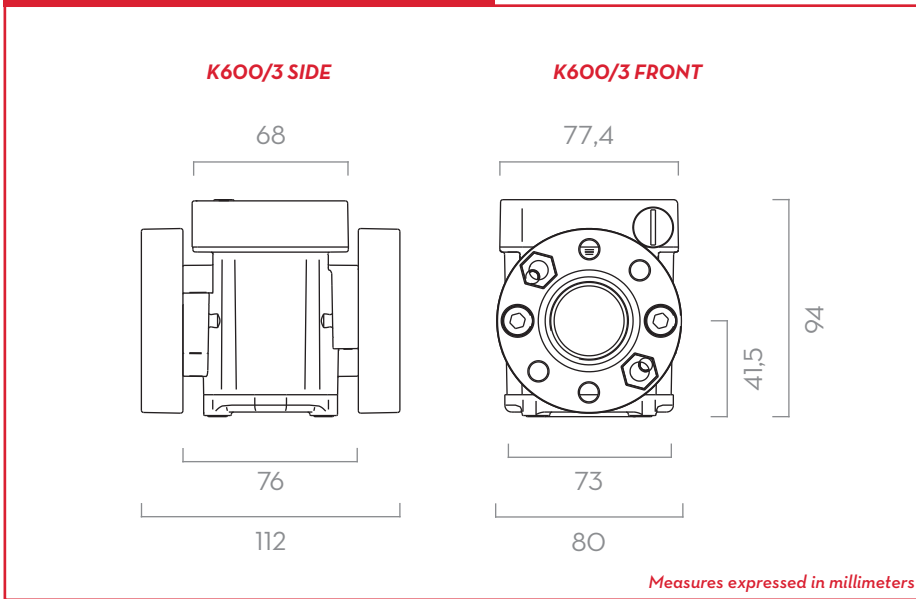
IN THE BOX

- K600/3 METER
- INSTRUCTION MANUAL

DETAILS



DIMENSIONS



MATERIALS

- BODY: ALLUMINIUM
- GEARS: TECHNOPOLYMER

TECHNICAL DATA

CODE	DESCRIPTION	FLUIDS TYPE	FLOW-RATE		PRESSURE		BATTERY INCLUDED NO. 2 2X1,5V	FLANGE	INLET OUTLET	INLET FILTER
			L/MIN	GPM	BAR	PSI				
METERS										
FOO496A20	K600/3 OIL	A O	6 - 60	1,58 - 1,58	70	994	YES	YES	3/4" BSP	YES
PULSER										
FOO472A20	K600/2-3 3/4" OIL	A O	6 - 60	1,58 - 1,58	70	994	NO	YES	3/4" BSP	YES

UPON REQUEST AVAILABLE IN NPTF VERSION AND DISPLAY IN GALLON/QUARTER OR PRINT

K600/3