

K400

FEATURES

- **READY TO USE**
- **EASY TO CALIBRATE**
- **DOUBLE TOTALIZER**
- **ELECTRONIC RESET FUNCTION**
- **HIGH ACCURACY**
- **LOW BATTERY CONSUMPTION**
- **RUBBER PROTECTION**
- **ADJUSTABLE UNIT OF MEASUREMENT**

The Piusi K400 is an electric oval gear meter suitable for monitoring the delivery of oils with a wide range of viscosity. The meter is equipped with a digital display and it is also available in pulser version.

PERFORMANCE

<p>up to</p> <p>30 L/MIN</p> <p>(up to 7,8 gpm)</p> <p>FLOW RATE</p>	<p>± 0,5 %</p> <p>ACCURACY</p>
<p>2-2000 CST</p> <p>VISCOSITY</p>	<p>max</p> <p>70BAR</p> <p>PRESSURE</p>



K400

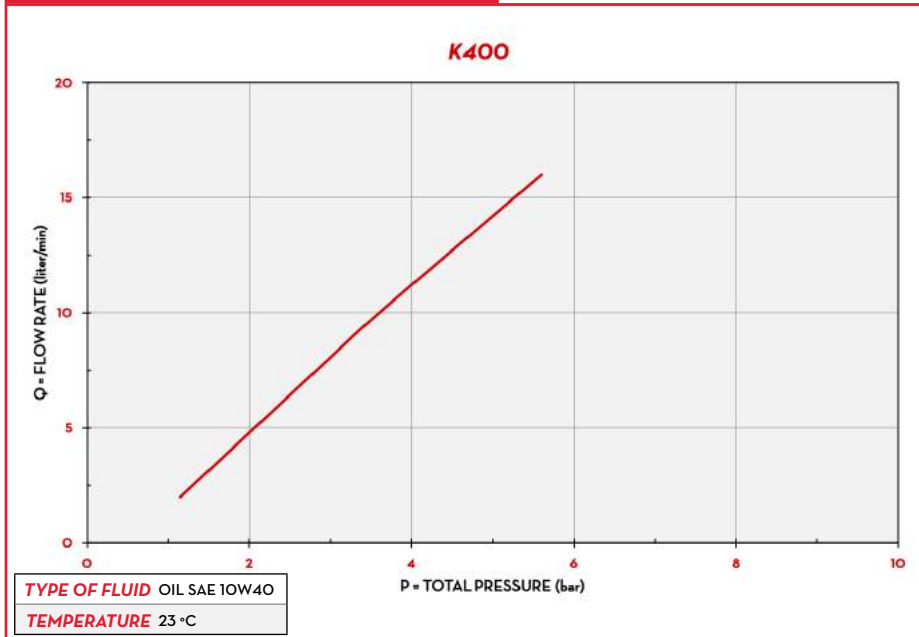


K400 PULSER

PACKAGING

CODE	WEIGHT		PACKAGING			
	KG	LBS	MM	INCH	PCS/PALLET	PCS/BOX
FOO484000	0,5	1,1	298X198X113	11,7X7,8X4,4		12
FOO440200	0,5	1,1	300X160X110	11,8X6,3X4,3		8

CHARTS



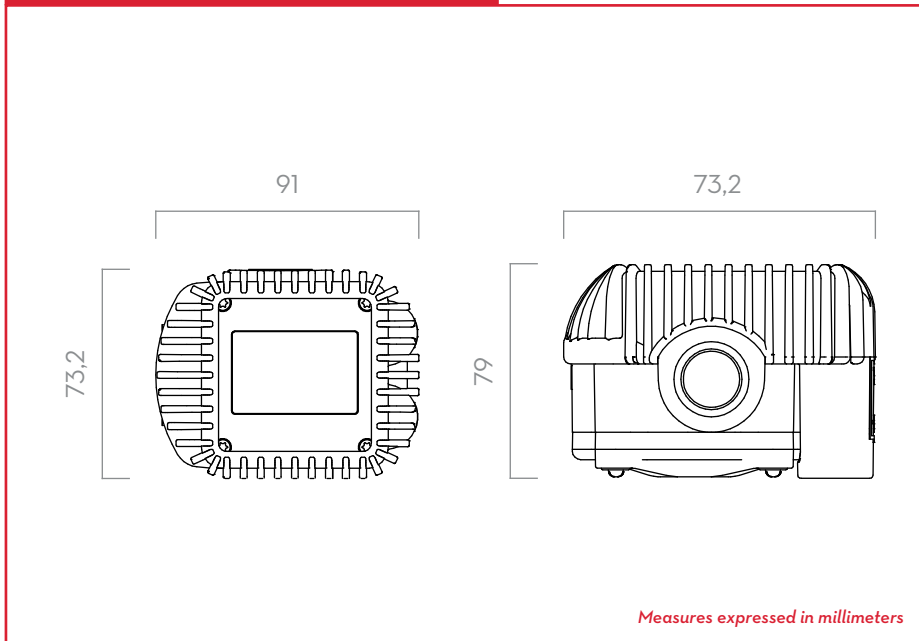
IN THE BOX

- K400 METER
- INSTRUCTION MANUAL

DETAILS



DIMENSIONS



MATERIALS

- BODY: ALLUMINIUM
- GEARS: TECHNOPYLIMER

TECHNICAL DATA

CODE	DESCRIPTION	FLUIDS TYPE	FLOW-RATE		WORKING PRESSURE		BATTERIES INCLUDED AAA NO.2 2 X 1,5 V	INLET	OUTLET
			L/MIN	GPM	BAR	PSI			
FO0484000	K400 BSP	A D O	1 - 30	0,26 - 7,8	70	994	YES	1/2" BSP	1/2" BSP
FO0440200	K400 PULSER	A D O	1 - 30	0,26 - 7,8	70	994	NO	1/2" BSP	1/2" BSP

UPON REQUEST AVAILABLE IN NPTF VERSION AND DISPLAY IN GALLON/QUARTER OR PINT

K400