

K24

FEATURES

- FLOW RATE INDICATION
- STANDARD AAA BATTERIES
- ROTABLE DISPLAY
- LOW BATTERY CONSUMPTION
- RUBBER PROTECTION

The K24 is Piusi's exclusive turbine meter. Its compact design, accuracy and ease of use makes this flow meter an excellence in measuring AdBlue®.



K24

PERFORMANCE

± 1%

ACCURACY

10 BAR

PRESSURE

**UP TO
120 L/MIN**

FLOW RATE

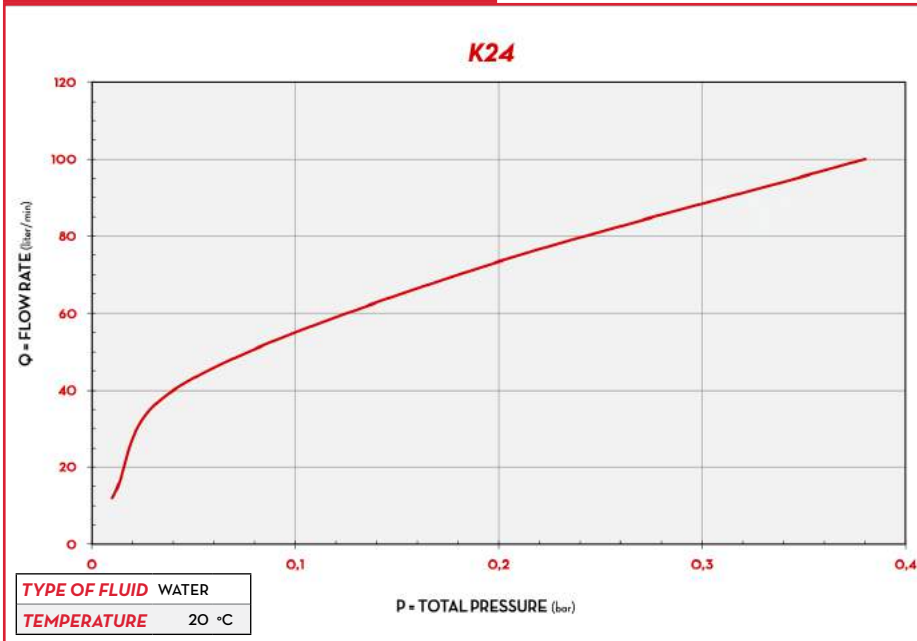


K24 PULSE METER

PACKAGING

CODE	WEIGHT		PACKAGING		
	KG	LBS	MM	INCH	PCS/BOX
FOO40710A	0,4	0,9	BLISTER	BLISTER	1
FOO40721B	0,4	0,9	115X160X135	4,5X3X5,3	1

CHARTS



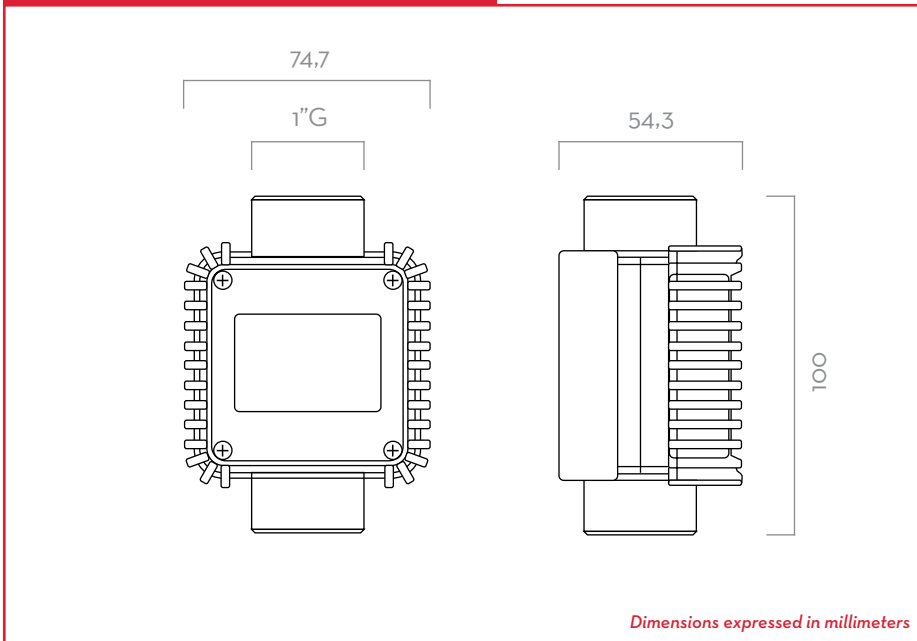
IN THE BOX

- K24 METER
- STAINLESS STEEL SOCKET
- INSTRUCTION MANUAL

DETAILS



DIMENSIONS



MATERIALS

- BODY: TECHNOPYLIMER
- TURBINE: TECHNOPYLIMER

TECHNICAL DATA

CODE	DESCRIPTION	FLUIDS TYPE	FLOW-RATE		PRESSURE		DISPLAY	PULSE OUT (P/L)	
			L/MIN	GPM	BAR	PSI		PULSE VERSION	DISPLAY VERSION
FOO40710A	K24 METER (1 SOCKET)		5 · 120	1,3-26,4	10	145	YES	-	-
FOO40721B	K24 PULSE-METER (1 SOCKET) (87,73 PULSE/L)		5 · 120	1,3-26,4	10	145	NO	88	-

K24