

# OCIO

## FEATURES

- **READY TO USE**
- **BUILT-IN DISPLAY**
- **STAINLESS STEEL PROBE**

OCIO is the PIUSI's tank level indicator specifically designed for AdBlue® thanks to its stainless steel probe. It gives a real time indication of the fluid quantity inside the tank.

## PERFORMANCE

UP TO  
**4MT**  
HEIGHT  
TANK

**±1%**  
FULL SCALE  
ACCURACY

UP TO  
**50 MT**  
LENGTH  
PROBE TUBE



OCIO



10 METERS HOSE

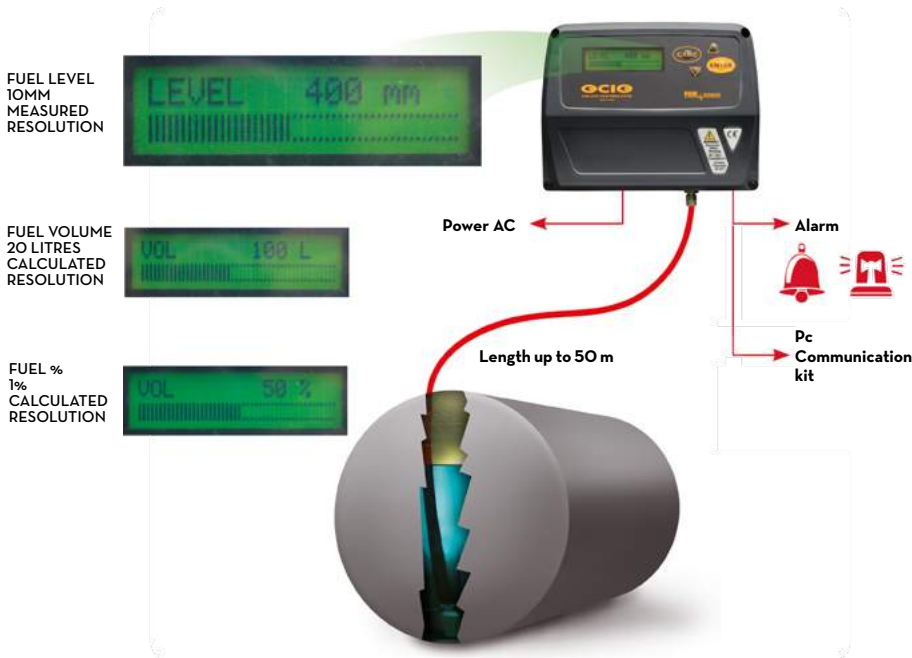


STAINLESS STEEL PROBE

## PACKAGING

CODE	WEIGHT		PACKAGING		
	KG	LBS	MM	INCH	PCS/BOX
FO0755140	2,2	4,8	300X410X100	11,8X16,1X3,9	1
FO0755220	2,2	4,8	300X410X100	11,8X16,1X3,9	1

## FUNCTIONING



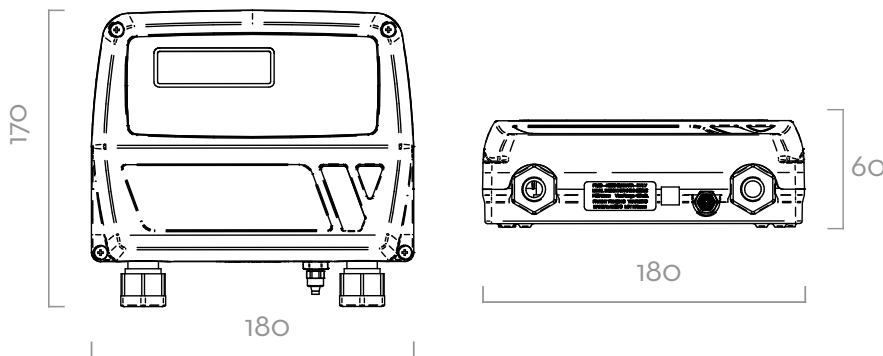
## IN THE BOX

- OCIO UNIT
- PROBE
- 10 MT TUBE
- INSTRUCTION MANUAL

## DETAILS



## DIMENSIONS



Dimensions expressed in millimeters

## MATERIALS

- PROBE: STAINLESS STEEL
- TUBE: TECHNOPOLYMER

## TECHNICAL DATA

CODE	DESCRIPTION	FLUIDS TYPE	VOLTAGE		RS EXIT
			AC V./HZ	POWER WATT	
FO0755140	LEVEL IND.OCIO LV230V 50/60 - ADBLUE	<span>A</span> <span>B</span> <span>D</span> <span>O</span> <span>W</span> <span>W</span>	230/50	20	AVAILABLE
FO0755220	LEVEL IND. OCIO 2.0 RS485 230V 50/60	<span>A</span> <span>B</span> <span>D</span> <span>O</span> <span>W</span> <span>W</span>	230/50	20	AVAILABLE