

# K600 B/3

## FEATURES

- EASY-TO-READ BIG DISPLAY
- SWIVEL DISPLAY
- STANDARD BATTERY
- PULSE-OUT VERSION AVAILABLE
- ADJUSTABLE FLANGES
- AA STANDARD BATTERY

The Piusi K600 B/3 is an oval gear meter suitable for monitoring the delivery of low, medium and high viscosity oils. This special version includes a large built-in digital display.

## PERFORMANCE

up to  
**100 L/MIN**  
(up to 26,4 gpm)

FLOW-RATE

**± 0,5 %**

ACCURACY

less than  
**0,5 BAR**

LOSS OF PRESSURE

**0,2 %**

REPEATABILITY



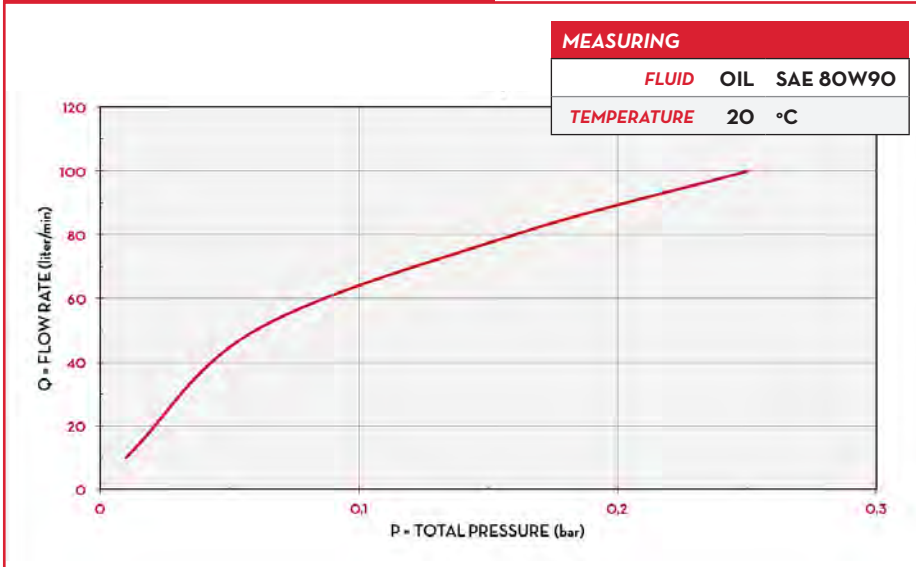
K600 B/3

K600 B/3 PULSE-OUT

## PACKAGING

CODE	WEIGHT		PACKAGING			
	KG	LBS	MM	INCH	PCS/PALLET	PCS/BOX
<b>METERS</b>						
FOO491000	2	4,4	200X120X140	7,9X4,7X5,5		1
FOO491010	2	4,4	200X120X140	7,9X4,7X5,5		1
<b>PULSE OUT METER</b>						
FOO492000	2	4,4	200X120X140	7,9X4,7X5,5		1
FOO492010	2	4,4	200X120X140	7,9X4,7X5,5		1

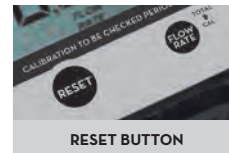
**CHARTS**



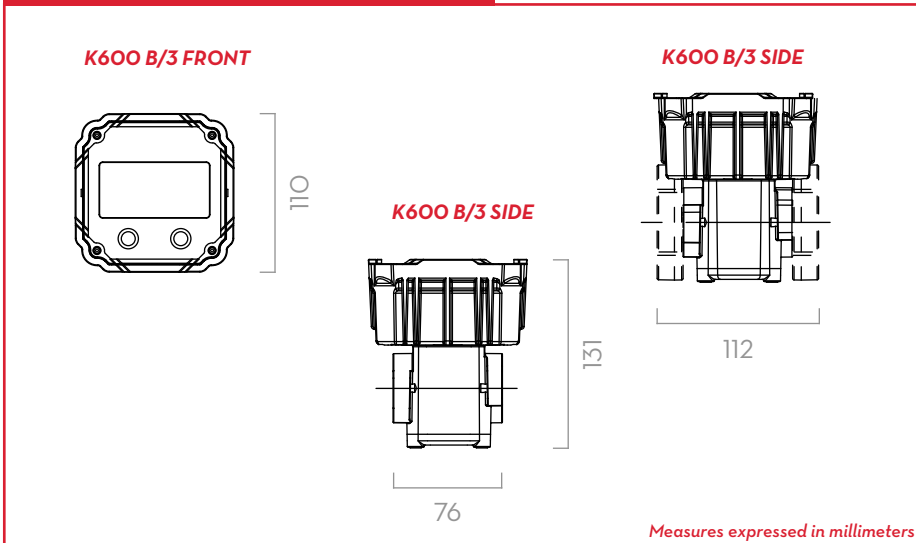
**IN THE BOX**

- K600 B/3 METER
- INSTRUCTION MANUAL

**DETAILS**



**DIMENSIONS**



**MATERIALS**

- BODY: ALLUMINIUM
- GEARS: TECHNOPOLYMER

**TECHNICAL DATA**

CODE	DESCRIPTION	FLUIDS TYPE	FLOW-RATE		PRESSURE		BATTERY INCLUDED NO. 2 2X1,5V	FLANGE	INLET OUTLET	INLET FILTER
			L/MIN	GPM	BAR	PSI				
<b>METERS</b>										
FOO491000	K600 B/3	D	10 - 100	2,64 - 26,4	30	426	YES	YES	1" BSP	YES
FOO491010	K600 B/3	O	6 - 60	1,58 - 1,58	70	994	YES	YES	3/4" BSP	YES
<b>PULSE OUT METER</b>										
FOO492000	K600 B/3 WITH PULSE-OUT	D	10 - 100	2,64 - 26,4	30	426	YES	YES	1" BSP	YES
FOO492010	K600 B/3 WITH PULSE-OUT	O	6 - 60	1,58 - 1,58	70	994	YES	YES	3/4" BSP	YES

UPON REQUEST AVAILABLE IN NPTF VERSION AND DISPLAY IN GALLON/QUARTER OR PINT

**K600 B/3**