

# PIUSIBOX

## FEATURES

- SELF PRIMING PUMP
- BUILT-IN FILTER (PRO VERSION)
- EASY TO REPACK
- IP55

The PIUSIBOX is a portable fuel dispenser integrated with a self-priming transfer pump, filter, check valve and manual nozzle. Suitable for quick and safe refuel operations in all the situations where an easy mobile refueling solution is required.

## PERFORMANCE

UP TO  
**45 L/MIN**

FLOW-RATE

**12/24V**

VOLTAGE  
POWER

**30 MIN**

DUTY CYCLE



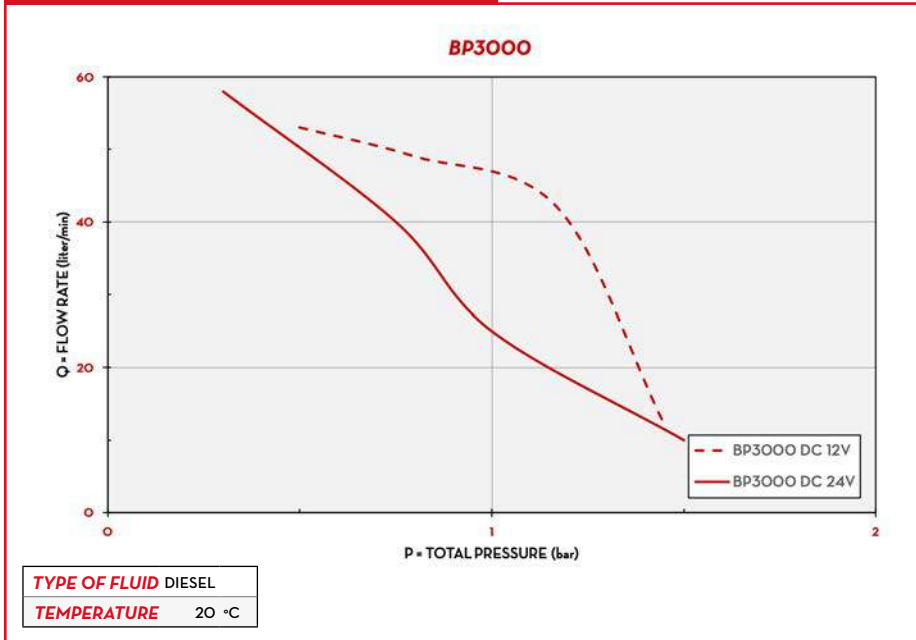
PIUSIBOX



## PACKAGING

CODE	WEIGHT		PACKAGING			N. BOXES / EUROPALLET	
	KG	LBS	MM	INCH	PCS/BOX	✕	🚛
FOO23100B	9,5	20,9	400X300X420	-	1	24	32
FOO23101B	12	26,5	400X300X420	-	1	24	32
FOO23200B	9,5	20,9	400X300X420	-	1	24	32
FOO23201B	12	26,5	400X300X420	-	1	24	32

**CHART**



**IN THE BOX**

- PIUSIBOX UNIT
- SUCTION&DELIVERY HOSE
- OIL&FUEL FILTER (PRO VERSION)
- CHECK VALVE
- INSTRUCTION MANUAL

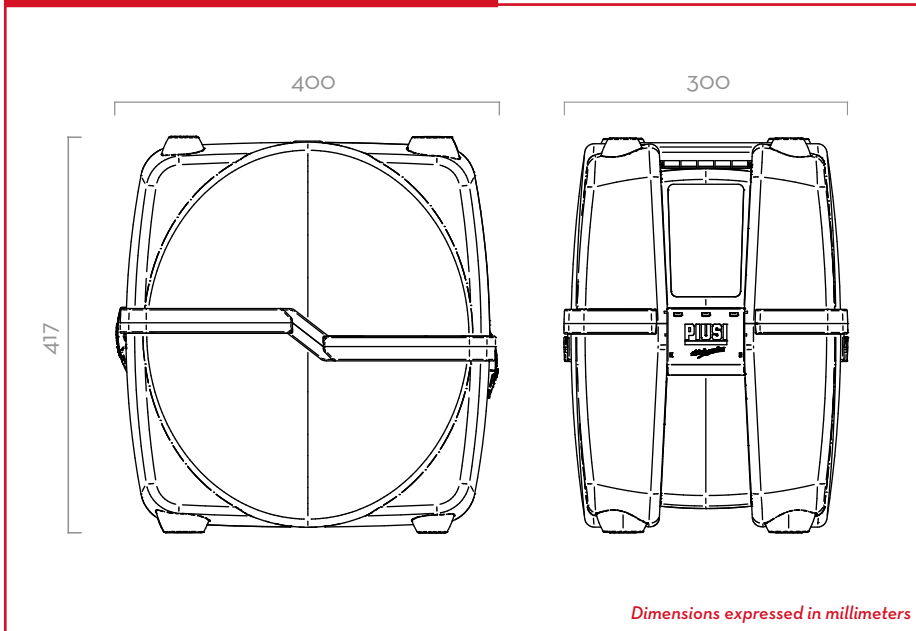
**DETAILS**



**MATERIALS**

- BODY: CAST IRON
- ROTOR: SINTERED STEEL
- VANES: ACETAL RESIN
- SEAL: NBR
- SHAFT: STEEL

**DIMENSIONS**



**TECHNICAL DATA**

CODE	DESCRIPTION	FLUIDS TYPE	FLOW-RATE		VOLTAGE			PUMP TYPE	DUTY CYCLE MINUTES	FILTER	CARTRIDGE	NOZZLE TYPE	DELIVERY HOSE 5/8"	SUCTION HOSE 3/4"	FOOT VALVE MOD. VANTAGE
			L/MIN	GPM	AC V/HZ DC VOLT	POWER WATT	AMP. MAX.								
FO023100B	PIUSIBOX 12V BASIC	D	45	11,9	12	400	33	BP 3000	30	NO	NO	MAN.	4M	2M	YES
FO023101B	PIUSIBOX 12V PRO	D	43	11,7	24	620	26	BP 3000	30	YES	10μ	MAN.	4M	2M	YES
FO023200B	PIUSIBOX 24V BASIC	D	45	11,9	12	400	33	BP 3000	30	NO	NO	MAN.	4M	2M	YES
FO023201B	PIUSIBOX 24V PRO	D	43	11,7	24	620	26	BP 3000	30	YES	10μ	MAN.	4M	2M	YES