

# VISCOMAT VANE

## FEATURES

- **ADJUSTABLE BYPASS**
- **MULTI-PURPOSE PUMP**
- **SUITABLE TO TRANSFER WASTE OILS**

The Piusi VISCOMAT VANE is an electric vane pump suitable for transferring low and medium viscosity fluids. The pump is equipped with a built-in adjustable bypass.

## PERFORMANCE

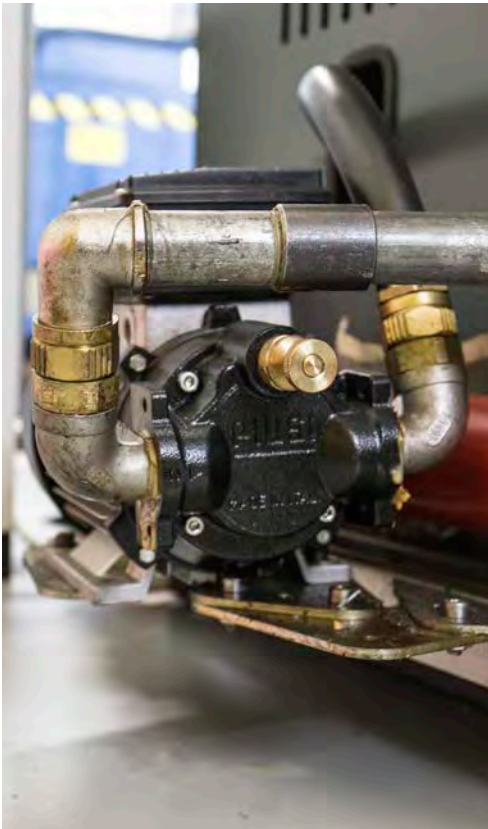
up to  
**500**  
cSt  
VISCOSITY

up to  
**50 L/MIN**  
FLOW-RATE

below  
**70 DB**  
NOISE LEVEL



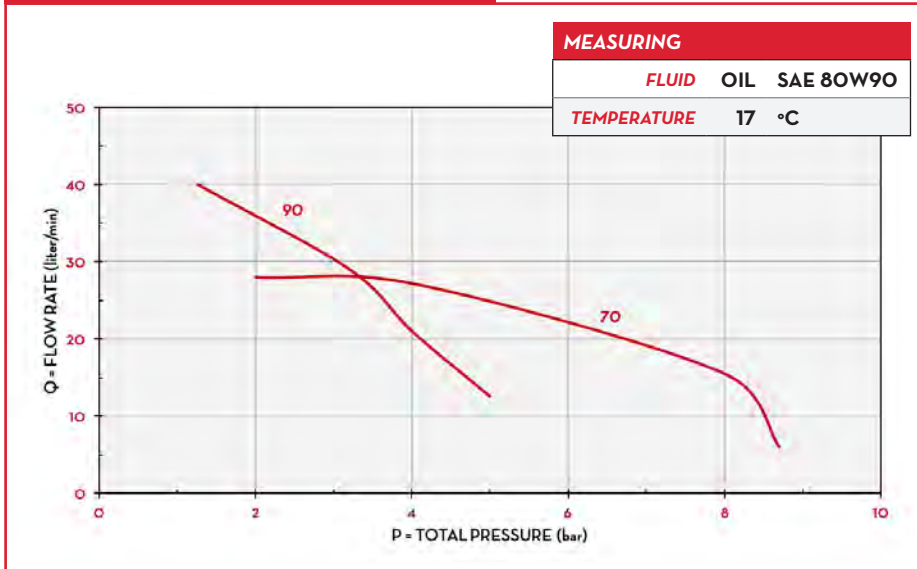
VISCOMAT VANE



## PACKAGING

| CODE               | WEIGHT |      | PACKAGING   |      |            |         |   |
|--------------------|--------|------|-------------|------|------------|---------|---|
|                    | KG     | LBS  | MM          | INCH | PCS/PALLET | PCS/BOX |   |
| <b>VISCOMAT 70</b> |        |      |             |      |            |         |   |
| FO033490A          | 14,15  | 31,1 | 355X185X285 | -    | 60         | 72      | 1 |
| FO033190A          | 14,15  | 31,1 | 350X200X280 | -    | 60         | 72      | 1 |
| <b>VISCOMAT 90</b> |        |      |             |      |            |         |   |
| FO0303M00          | 14,15  | 31,1 | 350X200X280 | -    | 60         | 72      | 1 |
| 000303000          | 14,15  | 31,1 | 350X200X280 | -    | 60         | 72      | 1 |

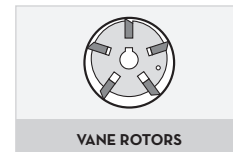
### CHARTS



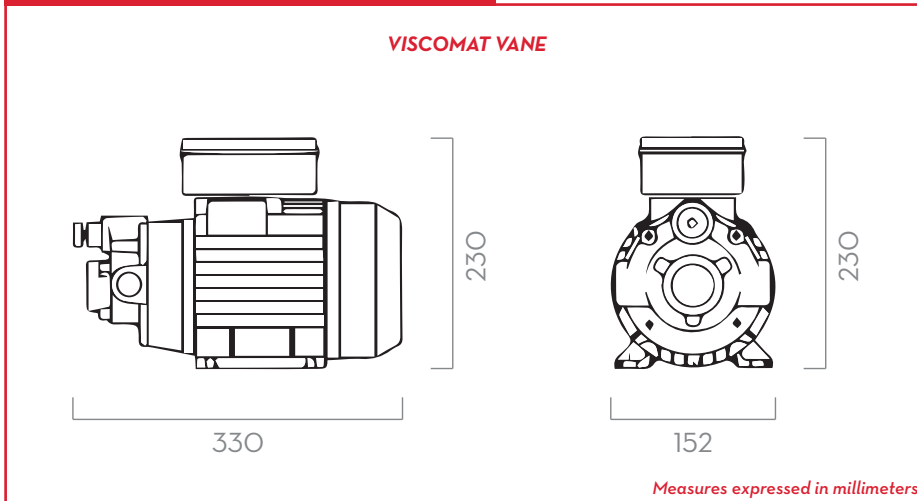
### IN THE BOX

- VISCOMAT VANE PUMP
- INSTRUCTION MANUAL

### DETAILS



### DIMENSIONS



### MATERIALS

- BODY: CAST IRON
- ROTOR: SINTERED STEEL
- VANES: TECHNOPOLYMER
- SHAFT: STEEL

### TECHNICAL DATA

| CODE               | DESCRIPTION              | FLUIDS TYPE   | FLOW-RATE |     | AIR PRESSURE |     | VOLTAGE                |                       |            |          | RPM       | INLET OUTLET | BYPASS VALVE |
|--------------------|--------------------------|---|-----------|-----|--------------|-----|------------------------|-----------------------|------------|----------|-----------|--------------|--------------|
|                    |                          |   | L/MIN     | GPM | BAR          | PSI | SINGLEPHASE MOTOR V/HZ | THREEPHASE MOTOR V/HZ | POWER WATT | AMP. MAX |           |              |              |
| <b>VISCOMAT 70</b> |                          |   |           |     |              |     |                        |                       |            |          |           |              |              |
| FO033490A          | VISCOMAT 70 M. 230/50/60 | <span style="color: yellow;">○</span> <span style="color: green;">○</span> <span style="color: red;">○</span> | 25        | 7   | 6            | 85  | 230/50/60              | -                     | 1200/1000  | 5,5-5,1  | 1470/1650 | 1" BSP       | YES          |
| FO033190A          | VISCOMAT 70 T. 400/50/60 | <span style="color: yellow;">○</span> <span style="color: green;">○</span> <span style="color: red;">○</span> | 25        | 7   | 6            | 85  | -                      | 400/50 - 460/60       | 650/1000   | 2,2/3,1  | 1470/1750 | 1" BSP       | YES          |
| <b>VISCOMAT 90</b> |                          |   |           |     |              |     |                        |                       |            |          |           |              |              |
| FO0303M00          | VISCOMAT 90 M. 230/50/60 | <span style="color: yellow;">○</span> <span style="color: green;">○</span> <span style="color: red;">○</span> | 50        | 13  | 5            | 71  | 230/50/60              | -                     | 1350/1600  | 6,2/4,9  | 1400/1600 | 1" BSP       | NO           |
| 000303000          | VISCOMAT 90 T. 400/50    | <span style="color: yellow;">○</span> <span style="color: green;">○</span> <span style="color: red;">○</span> | 50        | 13  | 5            | 71  | -                      | 400/50                | 2000       | 5        | 1450      | 1" BSP       | YES          |

UPON REQUEST IT IS AVAILABLE WITH DIFFERENT VOLTAGE AND FREQUENCY - (\*) WITHOUT ADJUSTABLE BYPASS VALVE

## VISCOMAT VANE