

# MA 140

## FEATURES

- IN/OUT SWAPPABLE
- BUILT-IN DIFFUSER
- SUITABLE FOR IMMersed INSTALLATION
- HEAVY DUTY
- EXPLOSION PROOF (EX ZONE 2)
- EASY TO FIT
- STURDY DESIGN

The Piusi MA140 is a long life pneumatic diaphragm pump suitable for transferring high viscosity fluids and waste oils. The small size of this pump allows a wide range of possible installations.

## PERFORMANCE

up to <b>100 L/MIN</b>	<b>6M</b>
FLOW RATE	max capacity SELF PRIMING
max <b>7 BAR</b>	max <b>Ø 4MM</b>
AIR PRESSURE	PASSING SOLID



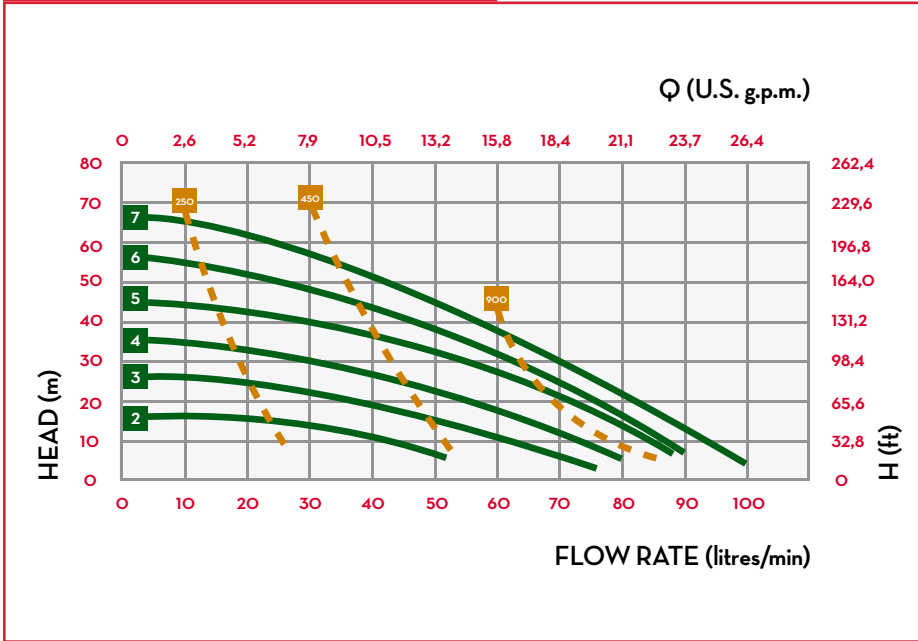
MA 140



## PACKAGING

CODE	WEIGHT		PACKAGING			
	KG	LBS	MM	INCH	PCS/PALLET	PCS/BOX
FO0208PIO	5	11	240X380X350	9,4X15X13,8		1

**CHARTS**



**IN THE BOX**

- MA PUMP
- INSTRUCTION MANUAL

**DETAILS**

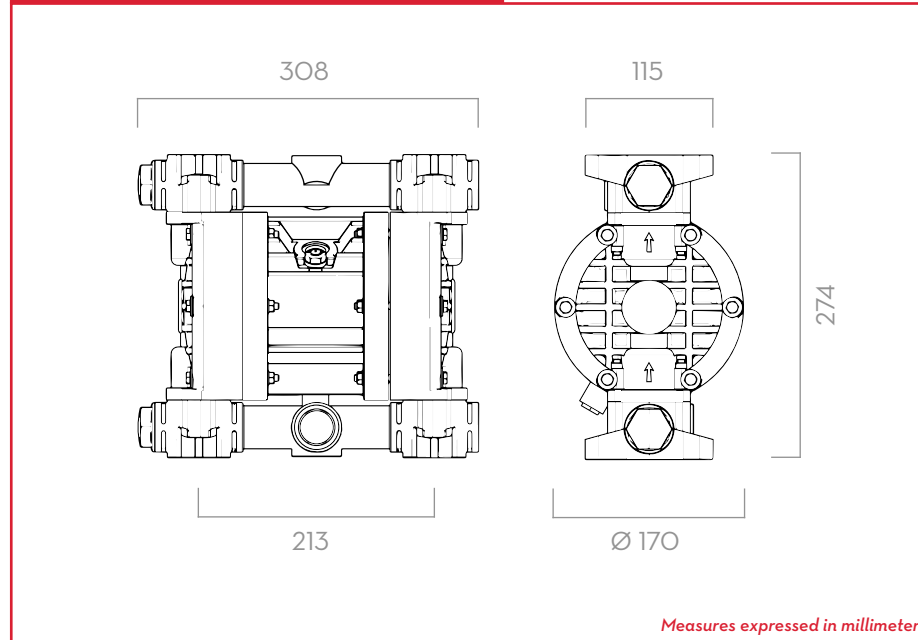


HEAVY DUTY MATERIALS



TECHNOPOLYMER BODY

**DIMENSIONS**



STURDY DESIGN

**MATERIALS**

- BODY: TECHNOPOLYMER
- FITTINGS: ALLUMINIUM
- DIAPHRAGMS: TECHNOPOLYMER

**TECHNICAL DATA**

CODE	DESCRIPTION	FLUIDS TYPE	PUMP BODY	IN / OUT	FLOW RATE L/MIN	MEMBRANE TYPE	DIAPHRAGM	BALLS	BALL SEATS*	O-RING*	INTAKE / DELIVERY CONNECTION	AIR CONNECTION	MAX SELF-PRIMING CAPACITY M	MAX HEAD** M	MAX AIR SUPPLY PRESSURE BAR	MAX Ø OF PASSING SOLID MM
FOO208P10	PIUSI MA 140		POLYPROPYLENE	1" G	100	SINGLE	NBR	NBR	POLYPROPYLENE	NBR	G 1" F	G 3/8" F	6	70	7	4

(\*) ON REQUEST WE CAN PROVIDE MEMBRANES, BALLS, BALL SEATS AND O-RINGS IN DIFFERENT MATERIALS.  
 (\*\*) THE VALUE DEPENDS ON THE CONFIGURATION OF THE PUMP

**MA 140**