

CUBE

FEATURES

- **STURDY STRUCTURE**
- **MECHANICAL METER**
- **INDUCTION THERMAL-PROTECTED MOTOR**
- **OVERLOAD PROTECTION**
- **BUILT-IN MESH FILTER**
- **IP 55**

The PIUSI CUBE is a range of mechanical fuel transfer dispenser for non-commercial use, composed of a self-priming vane pump fitted with integrated bypass valve, automatic nozzle with swivel connection and integrated nozzle holder with start/stop pump lever. Its versatility allows different applications: on walls, on tanks, on cisterns, on drums or stand-alone (with the optional pedestal).

PERFORMANCE

UP TO
90 L/MIN

FLOW-RATE

AC/DC

VOLTAGE
POWER

± 1%

ACCURACY




CUBE 56 WITH FILTER

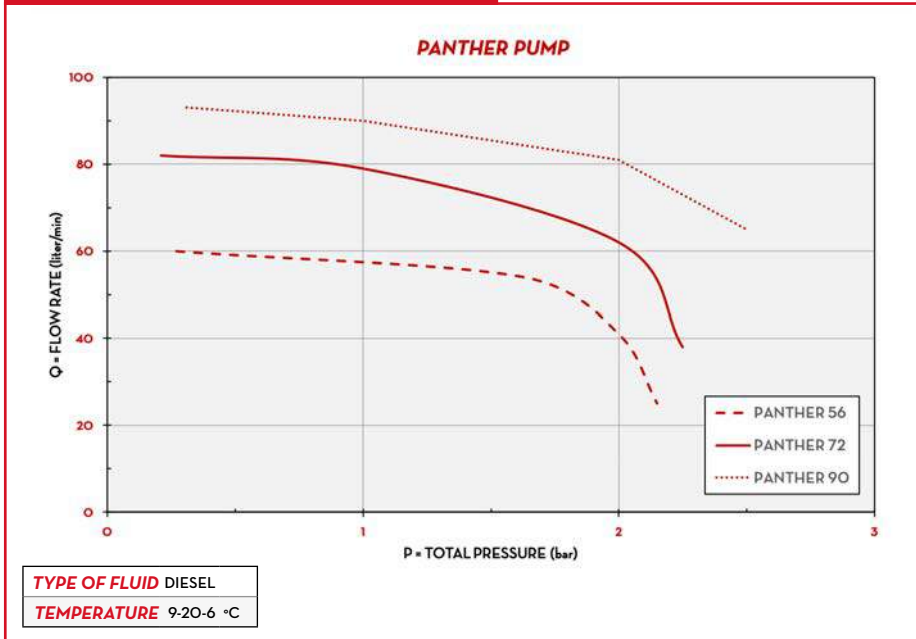


CUBE 56 WITH PEDESTAL (optional)

PACKAGING

CODE	WEIGHT		PACKAGING			N. BOXES / EUROPALLET	
	KG	LBS	MM	INCH	PCS/BOX	✕	
00057500C	21	46	400X400X460	-	1	12	24
00057516A	21	46	400X400X460	-	1	12	24
FO059100A	21	46	400X400X460	-	1	12	24
FO059111A	21	46	400X400X460	-	1	12	24
FO057600C	21	46	400X400X460	-	1	12	24
FO057700C	21	46	400X400X460	-	1	12	24
FO0575400	22	46	400X400X460	-	1	12	24
FO0591200	22	48	400X400X460	-	1	12	24
FO0592000	22	46	400X400X460	-	1	12	24

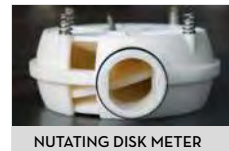
CHART



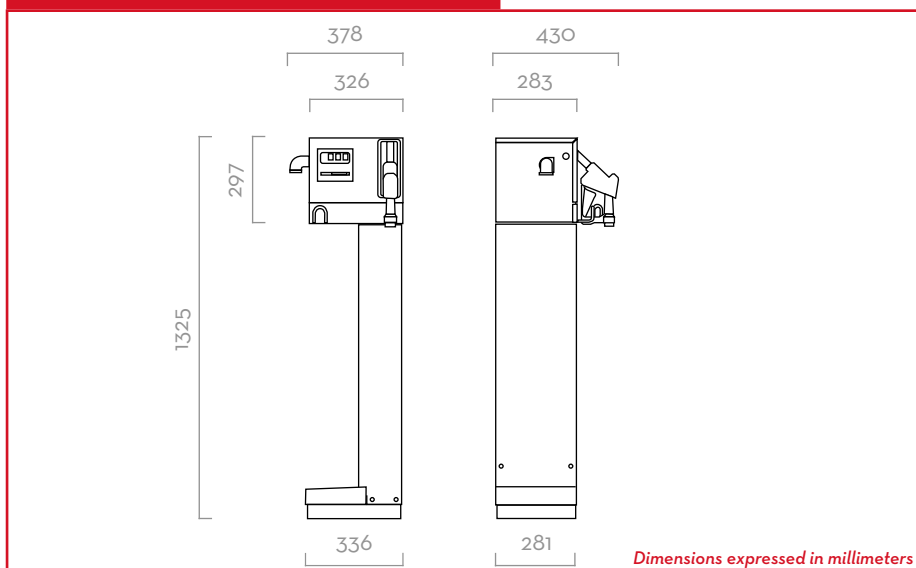
IN THE BOX

- CUBE DISPENSER
- AUTOMATIC NOZZLE
- DELIVERY HOSE
- INSTRUCTION MANUAL

DETAILS



DIMENSIONS



COMPONENTS

- **PUMP:**
PANTHER AC PAG. 64
PANTHER DC PAG. 78
- **METER:**
K33 / K44 PAG. 108
- **NOZZLE:**
AUTOMATIC NOZZLE PAG. 118

TECHNICAL DATA

CODE	DESCRIPTION	FLUIDS TYPE	FLOW-RATE		VOLTAGE			PUMP TYPE	METER TYPE	NOZZLE TYPE	FILTER		INLET BSP	HOSE	
			L/MIN	GPM	AC V./HZ DC VOLT	POWER WATT	AMP. MAX.				H2O FILTER	FILTERING CAPACITY		LENGTH	Ø
00057500C	CUBE 56	D	56	15	230/50	350	3	PANTH 56	K33	AUT.	NO	-	1"	4M	3/4"
00057516A	CUBE 56/44 PULSER	D	56	15	230/50	350	3	PANTH 56	K44	AUT.	NO	-	1"	4M	3/4"
FO059100A	CUBE 70/33	D	70	18	230/50	500	4,2	PANTH 72	K33	AUT.	NO	-	1"	4M	1"
FO059111A	CUBE 70/44 PULSER	D	70	18	230/50	500	4,2	PANTH 72	K44	AUT.	NO	-	1"	4M	1"
FO057600C	CUBE 56 DC 12V	D	56	15	12	300	35	PANTH DC	K33	AUT.	NO	-	1"	4M	1"
FO057700C	CUBE 70 DC 24V	D	70	18	24	420	25	PANTH DC	K33	AUT.	NO	-	1"	4M	3/4"
FO0575400	CUBE 56/33 + FILTER	D	56	15	230/50	350	3	PANTH 56	K33	AUT.	YES	30 µ	1"	6M	3/4"
FO0591200	CUBE 70/33 + FILTER	D	70	18	230/50	500	4,2	PANTH 72	K33	AUT.	YES	30 µ	1"	6M	1"
FO0592000	CUBE 90/44	D	90	23,8	230/50	700	4,9	PANTH 90	K44	A120	NO	-	1"	4M	1"

UPON REQUEST IT IS AVAILABLE WITH DIFFERENT VOLTAGES AND 50/60 HZ FREQUENCY

CUBE