

# K500

## FEATURES

- PRESET FUNCTION
- HIGH ACCURACY
- STANDARD BATTERY AA
- ERGONOMIC GRAB
- ROTATING SPOUT
- SHOCK-ABSORBING PROTECTION
- IP55 PROTECTION
- ADJUSTABLE UNIT OF MEASUREMENT

The Piusi K500 is the most widespread preset nozzle for oil. It has an ergonomic handle, an oval gear meter and a preset function to always choose the right quantity before dispensing.



## PERFORMANCE

up to <b>30 L/MIN</b> (up to 7,8 gpm) FLOW-RATE	<b>± 0,5 %</b> ACCURACY
<b>70 BAR</b> PRESSURE	up to <b>2000</b> cSt VISCOSITY



**ROTATING SPOUT**  
R12519000  
PAG. 96



**FLEXIBLE SPOUT**  
FOO676070  
PAG. 96



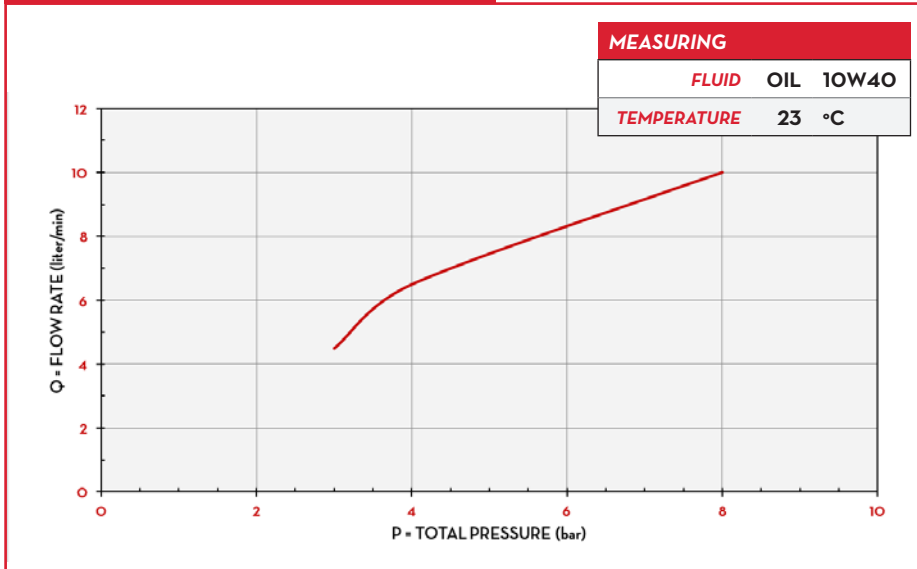
**RIGID SPOUT**  
FOO676080  
PAG. 96

**K500**

## PACKAGING

CODE	WEIGHT		PACKAGING			N. BOXES/ EUROPALLET	
	KG	LBS	MM	PCS/PALLET	PCS/BOX		
FOO68700D	1,8	4	280X160X140		1	128	160
FOO68720A	1,8	4	280X160X140		1	128	160
FOO687221A	1,8	4	280X160X140		1	128	160
FOO68600D	1,8	4	280X160X140		1	128	160

**CHARTS**



**IN THE BOX**

- K500 NOZZLE
- INSTRUCTION MANUAL

**DETAILS**



EASY PRESET QUANTITY



HIGH PROTECTION



BATTERY COMPARTMENT

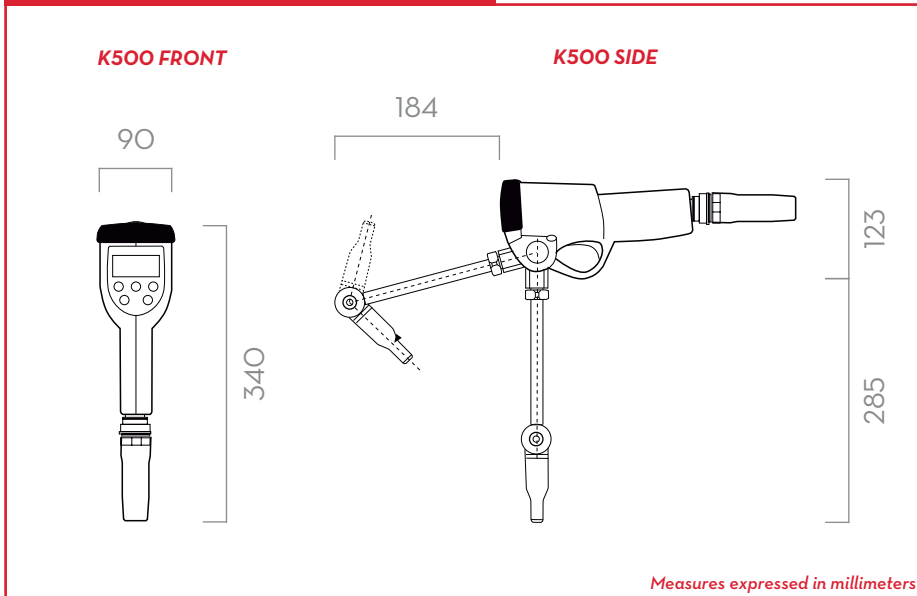


METER WITH OVAL GEARS

**MATERIALS**

- NOZZLE BODY: ALUMINIUM
- VALVE: NBR, NICKEL PLATED STEEL, BRASS
- METER BODY: ALUMINIUM
- GEARS: TECHNOPOLYMER

**DIMENSIONS**



**TECHNICAL DATA**

CODE	DESCRIPTION	FLUIDS TYPE	SPOUT TYPE	 AUTOMATIC NO DRIP VALUE	FLOW-RATE		AIR PRESSURE		BATTERIES SIZE 1,5 V AA NO.	INTLET
					L/MIN	GPM	BAR	PSI		
FOO68700D	K500 W/ARTICULABLE SPOUT			YES	1 ÷ 30	0,26 ÷ 7,8	70	994	4	1/2" BSP
FOO68720A	K500 W/RIGID SPOUT			YES	1 ÷ 30	0,26 ÷ 7,8	70	994	4	1/2" BSP
FOO687221A	K500 W/FLEXIBLE SPOUT			YES	1 ÷ 30	0,26 ÷ 7,8	70	994	4	1/2" BSP
FOO68600D	K500 W/ARTICULABLE SPOUT			YES	1 ÷ 30	0,26 ÷ 7,8	70	994	4	1/2" NPT

**K500**