

EASY K400

FEATURES

- **READY TO USE**
- **EASY TO CALIBRATE**
- **DOUBLE TOTALIZER**
- **ELECTRONIC RESET FUNCTION**
- **HIGH ACCURACY**
- **ERGONOMIC GRAB**
- **LOW BATTERY CONSUMPTION**
- **IP65 PROTECTION**
- **RUBBER PROTECTION**
- **ADJUSTABLE ADJUSTABLE UMA CAMSHAFT**
- **SWIVEL**

PERFORMANCE

up to
30 L/MIN
(up to 7,8 gpm)

FLOW-RATE

± 0,5 %

ACCURACY

70 BAR

PRESSURE

up to
2000
cSt

VISCOSITY



The Piusi Easy K400 is the perfect synthesis for all the needs of transferring and measuring oils. It is composed by the ergonomic Easy Oil nozzle and the K400 meter.



with rigid spout

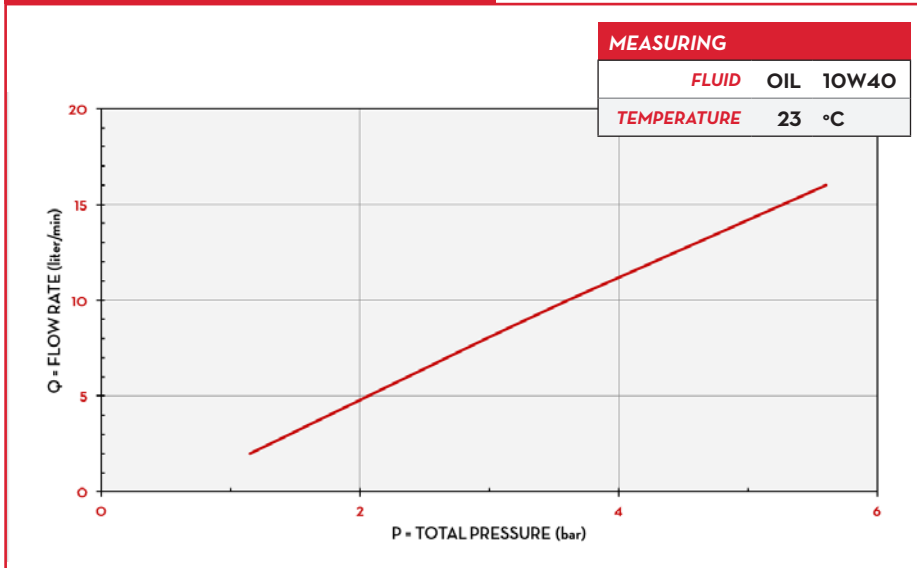
with flexible spout

EASY K400

PACKAGING

CODE	WEIGHT		PACKAGING			N. BOXES/ EUROPALLET	
	KG	LBS	MM	PCS/PALLET	PCS/BOX		
FOO484000	0,5	1,1	80X80X75		1	180	180
FOO984040	1,2	2,6	300X160X110		1	180	180
FOO984010	1,5	3,3	300X160X110		1	180	180
FOO984000	1,5	3,3	300X160X110		1	180	180
FOO984070	1,5	3,3	300X160X110		1	180	180
FOO984060	1,5	3,3	300X160X110		1	180	180

CHARTS



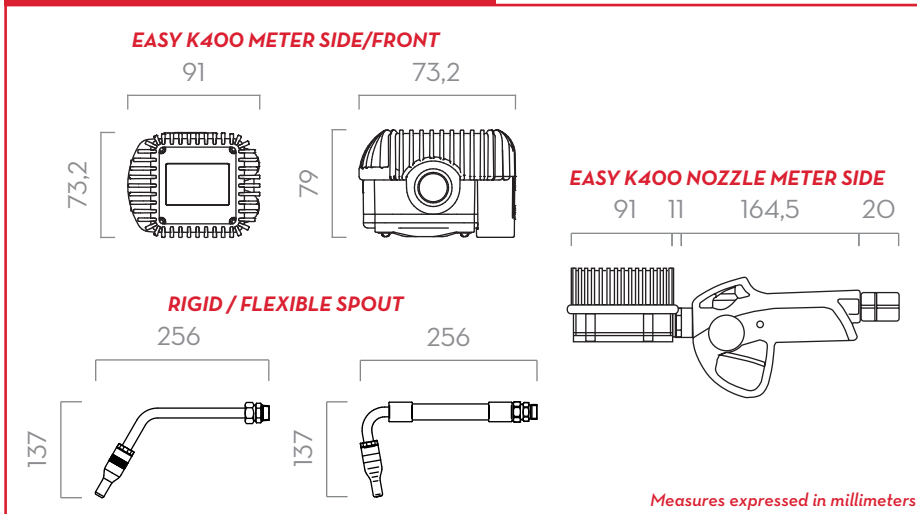
IN THE BOX

- EASYOIL NOZZLE
- K400 METER
- INSTRUCTION MANUAL

DETAILS



DIMENSIONS



MATERIALS

- NOZZLE BODY: ALUMINIUM
- VALVE: NBR, NICKEL PLATED STEEL, BRASS
- METER BODY: ALUMINIUM
- GEARS: TECHNOPOLYMER

TECHNICAL DATA

CODE	DESCRIPTION	FLUIDS TYPE	SPOUT TYPE	AUTOMATIC NO DRIP VALUE	FLOW-RATE		WORKING PRESSURE		BATTERIES 1,5 V SIZE AAA NO.	INLET	OUTLET
					L/MIN	GPM	BAR	PSI			
FO0484000	K400 ELECTRONIC OIL METER LT/BSP	○	-	-	1-30	0,26 - 7,8	70	994	2	1/2" BSP	1/2" BSP
FO0984040	K400 NOZZLE LT/BSP	○	-	-	1-30	0,26 - 7,8	70	994	2	1/2" BSP	1/2" BSP
FO0984010	K400 NOZZLE LT/BSP WITH FLEX EXT. AP	○	FLEXIBLE AP	YES	1-30	0,26 - 7,8	70	994	2	1/2" BSP	FLEX EXT.
FO0984000	K400 NOZZLE LT/BSP WITH RIGID EXT. BP	○	RIGID AP	YES	1-30	0,26 - 7,8	70	994	2	1/2" BSP	RIGID EXT.
FO0984070	K400 NOZZLE LT/BSP WITH FLEX EXT. BP	○	FLEXIBLE BP	YES	1-30	0,26 - 7,8	70	994	2	1/2" BSP	FLEX EXT.
FO0984060	K400 NOZZLE LT/BSP WITH RIGID EXT. BP	○	RIGID BP	YES	1-30	0,26 - 7,8	70	994	2	1/2" BSP	RIGID EXT.

NPT VERSION AVAILABLE - QUART, PINT, GALLON VERSION AVAILABLE. APPROVABLE VERSION ON REQUEST

EASY K400