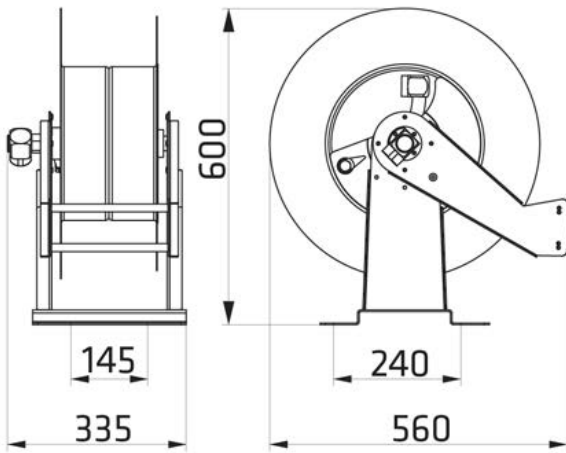


**Diesel Hose Reel, Series: Large A - Article:DAVT0033**



**Technical features:**

Reel Capacity:	Ø19x27-20mt	Ø25x35-14mt
Swivel:	Steel	
IN:	F1"BSP	
OUT:	F1"BSP	
Chassis:	Open	
Reel:	Steel	
Structure:	Steel	
Max Pressure:	80 Bar	
Supplied Hose:	Optional	
Operating temperature:	+40 / -10 °C	
Packaging:	61x39x65h cm	
Weight:	29 Kg	